

GMI. SUBMININATURE POWER RELAY

FEATURES

- ▶ 29.0 X 12.6 X 24.2(H) MM.
- ▶ 20A MAX SWITCHING CAPACITY.
- ▶ DIELECTRIC VOLTAGE UP TO 5KV.
- ▶ QUICK CONNECTOR TYPE AVAILABLE.
- ▶ UL CLASS F AND GLOW WIRE VERSION AVAILABLE.



File Number: PENDING
 File Number: PENDING

CONTACT RATINGS

Contact Form	1A
Contact Resistance	≤50mΩ (1A 6VDC)
Contact Material	Ag Alloy (AgSnO ₂ , AgSnO ₂ In ₂ O ₃)
Rated Load (Resistive)	1 FORM A
	20A 250VAC (H Type) 16A 277VAC 16A 30VDC
Max. Switching Current	20A (H Type) 16A
Max. Switching Power	5,000VA (H Type) 4,432VA / 480W
Max. Switching Voltage	277VAC / 30VDC
Min. Permissible Load	100mA at 5VDC

CHARACTERISTICS

Operate Time	≤ 20ms		
Release Time	≤ 10ms		
Insulation Resistance	1,000MΩ (500VDC)		
Dielectric Strength	I / O	O / O	
	5,000VAC 1min	1,000VAC 1 min	
Impulse Withstand Voltage	10 kV (1.2 x 50μs)		
Shock Resistance	Non-energized	Destruction	Malfunction
	100 m/s ² (10G)	1,000 m/s ² (100G)	100 m/s ² (10G)
Vibration Resistance	Destruction		Malfunction
	10 to 55 Hz, (1.5mm double amplitude)		10 to 55 Hz, (1.5mm double amplitude)
Ambient Temperature	Operating: -40°C to +105°C with no icing or condensation		
Ambient Humidity	Operating: 5% to 85%		
Mount Type	PCB Pins; PCB Pins and Quick Connector		
Weight	Approx. 15g		

NOTE: The data shown above are initial values.

COIL DATA

Standard	Approx. 540mW				
Rated Voltage (VDC)	Operate Voltage (VDC)	Release Voltage (VDC)	Max. Voltage (VDC)	Nominal Current (mA)	Coil Resistance (Ω) ±10%
5	≤3.75	≥0.5	6.5	106.4	47
6	≤4.5	≥0.6	7.8	88	68
9	≤6.75	≥0.9	11.7	58	155
12	≤9	≥1.2	15.6	44.4	270
24	≤18	≥2.4	31.2	21.8	1,100
48	≤36	≥4.8	62.4	10.9	4,400

LIFE EXPECTANCY DATA

Mechanical Life Expectancy	10,000,000 Operations
Electrical Life Expectancy	1 FORM A
	100,000 Operations (16A 277VAC Resistive Load, 1s ON / 9s OFF)
	50,000 Operations (16A 30VDC Resistive Load, 1s ON / 9s OFF)
	H TYPE: 50,000 Operations (20A 250VAC Resistive Load, 1s ON / 9s OFF)

PACKAGE INFORMATION

Inner Package Type & Quantity	25Pcs Per PVC Tray
Outer Package Type & Quantity	500pcs per Carton with Logo and Sticker
Outer Package Dimension & Weight G.W. / N.W.	29 x 28 x 25 cm; 9.5Kgs / 7.7Kgs

SIDE PRINTING

LASER PRINTED ON BLACK CASE

ORDERING PART NUMBER

CHAMPERE
GMF-1A-V
 12VDC ---

LOAD INFO

16A 277V ~
 16A 30V ---

BATCH CODE

XXXXX CHINA

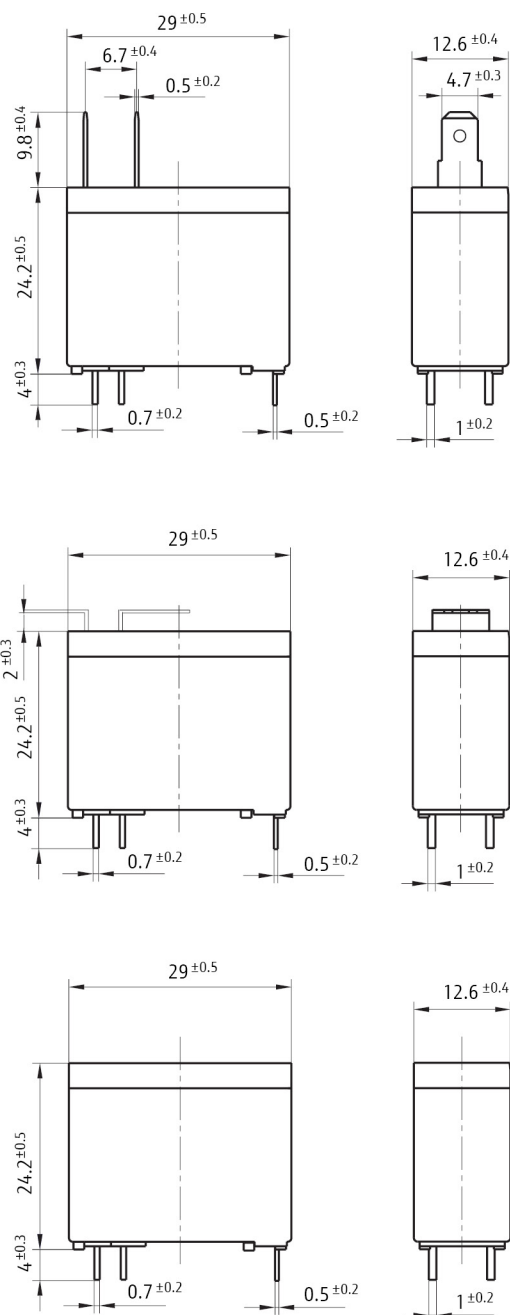
ORDERING INFORMATION

Type	Contact / Seal Key	Variation Key	Coil Key
GMF	S 1 A H	V F	12 VDC
Seal Type	Nil: Flux Proof; S: Plastic Sealed		X / XX (5 ~ 48): Coil DC Voltage Value Coil Voltage
NO of Pole	1: Single Pole		Insulation Class Nil: Standard Insulation; F: Class F Insulation
Contact Form	A: Form A / Normally Open		Mount Type Nil: PCB Pins Only; V: PCB Pins with Vertical Quick Connector; T: PCB Pins with Horizontal Quick Connector
			Contact Capacity Nil: Standard Switching Capacity (Up to 16A); H: High Switching Capacity (20A)

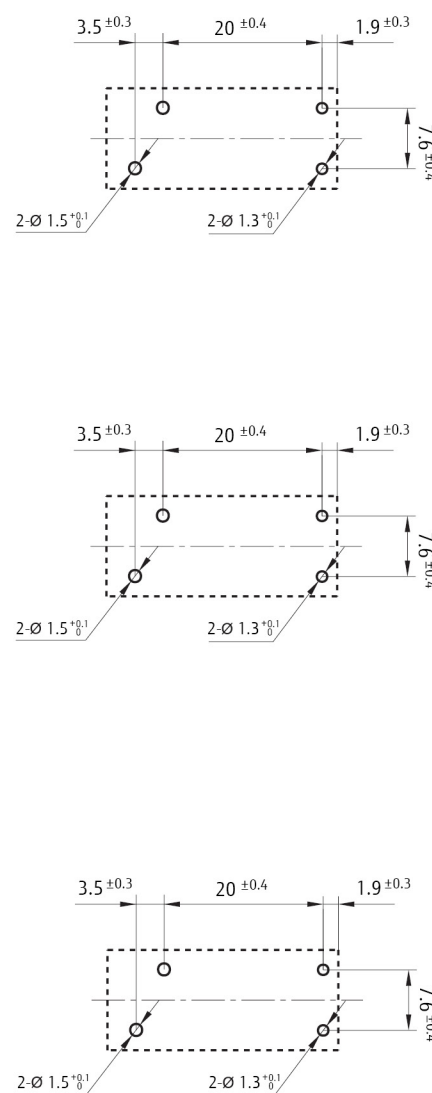
Example: GMF-1A-V 12VDC stands for 1 FORM A GMF relay with vertical quick connector, coil voltage is 12VDC. For full list of ordering codes please visit our website.

DIMENSIONS (UNIT: MM)

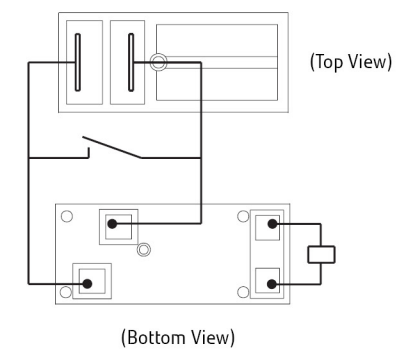
Outline Dimensions



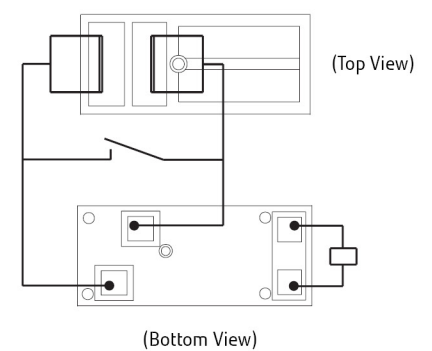
PCB Layout (Bottom View)



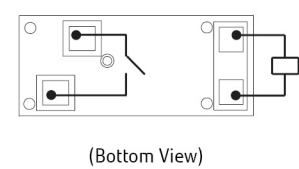
Wiring Diagram



-V Type



-T Type



(Bottom View)